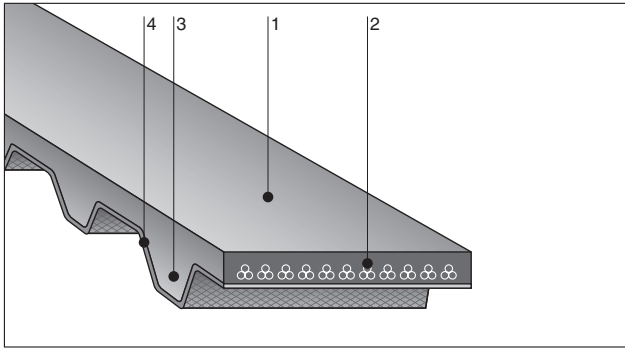


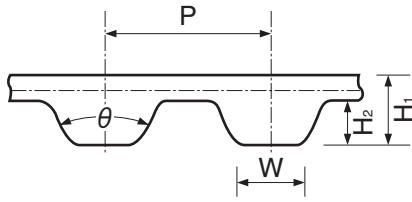
BANDO SYNCHRONOUS BELTS



Construction

- 1: Chloroprene rubber backing.
- 2: Glass Fiber tensile member.
- 3: Chloroprene rubber tooth.
- 4: Nylon canvas

Dimensions



Type		P	W	H ₁	H ₂	θ
MXL	Mini Synchro	2.032mm (0.080")	(0.76) 0.030	(1.1) 0.043	(0.51) 0.020	40°
XL	Extra Light	5.08mm (0.200")	(1.35) 0.054	(2.25) 0.09	(1.25) 0.050	50°
L	Light	9.525mm (0.375")	(3.2) 0.128	(3.5) 0.14	(1.9) 0.075	40°
H	Heavy	12.7mm (0.500")	(4.4) 0.175	(4.3) 0.17	(2.3) 0.090	40°
XH	Extra Heavy	22.225mm (0.875")	(8.0) 0.313	(11.3) 0.44	(6.3) 0.250	40°
XXH	Double Extra Heavy	31.75mm (1.250")	(12.2) 0.477	(15.8) 0.62	(9.6) 0.375	40°

Standard Belt Width

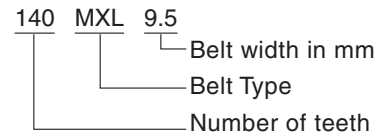
Nominal Width	BELT WIDTH													
			025	031	037	050	075	100	150	200	300	400	500	600
	inch	1/8	3/16	1/4	5/16	3/8	1/2	3/4	1	1-1/2	2	3	4	5
mm	3.2	4.8	6.4	7.9	9.5	12.7	19.0	25.4	38.1	50.8	76.2	101.6	127.0	152.4
MXL	●	●	●		●	●								
XL			●	●	●	●	●							
L						●	●	●	●	●				
H							●	●	●	●	●			
XH										●	●	●	●	●
XXH											●	●	●	●

Features

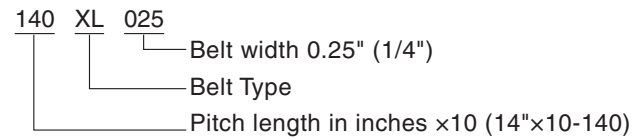
- Non-slip
Accurate tooth dimensions and minimal elongation virtually eliminate slippage and speed variation.
- No maintenance
No lubrication is required.
- No high initial tension, thus keeping the bearing load very low.
- Space saving
Utilizes small pulleys and short center distances.

Size mark

(MXL)



(XL, L, H, XH, XXH)



BANDO SYNCHRONOUS BELTS

Standard Sizes

BELT TYPE	PITCH	BELT NUMBER
MXL※ (Rubber)	2.032mm (0.080")	44, 45, 48, 50, 52, 53, 54, 55, 56, 57, 59, 60, 61, 62, 63, 64, 65, 67, 68, 69, 70, 71, 72, 73, 74, 75, 76, 77, 78, 79, 80, 81, 82, 83, 84, 85, 86, 87, 88, 90, 91, 92, 93, 94, 95, 96, 97, 98, 99, 100, 101, 102, 103, 104, 105, 106, 108, 109, 110, 112, 114, 115, 118, 119, 120, 121, 122, 123, 124, 125, 126, 127, 128, 129, 130, 131, 132, 134, 135, 137, 138, 140, 142, 144, 145, 146, 148, 150, 151, 155, 158, 159, 160, 162, 163, 164, 165, 169, 170, 175, 177, 180, 184, 188, 190, 192, 195, 196, 200, 204, 205, 208, 210, 212, 215, 220, 221, 222, 224, 225, 226, 228, 230, 232, 234, 236, 239, 240, 245, 248, 249, 250, 251, 255, 256, 260, 262, 265, 268, 271, 273, 275, 280, 281, 285, 288, 290, 295, 297, 300, 305, 308, 310, 312, 315, 318, 320, 323, 326, 328, 330, 332, 334, 336, 337, 347, 350, 354, 355, 358, 359, 360, 364, 365, 371, 372, 380, 388, 397, 400, 402, 405, 410, 413, 425, 431, 434, 435, 440, 448, 453, 464, 468, 473, 475, 480, 487, 493, 498, 500, 516, 522, 524, 525, 535, 550, 591, 612, 665
XL (Rubber)	5.08 (0.200")	50, 60, 64, 68, 70, 72, 74, 76, 78, 80, 84, 88, 90, 92, 94, 96, 98, 100, 102, 104, 106, 108, 110, 112, 114, 116, 118, 120, 122, 124, 126, 128, 130, 132, 134, 136, 138, 140, 142, 144, 146, 148, 150, 152, 154, 156, 158, 160, 162, 164, 166, 168, 170, 172, 174, 176, 178, 180, 182, 184, 188, 190, 194, 196, 198, 200, 202, 206, 208, 210, 212, 214, 216, 220, 222, 224, 228, 230, 234, 240, 244, 248, 250, 260, 262, 266, 270, 276, 280, 282, 290, 300, 310, 314, 320, 322, 330, 340, 344, 348, 352, 356, 360, 364, 370, 372, 376, 384, 386, 388, 390, 396, 400, 408, 424, 430, 450, 456, 460, 470, 490, 496, 510, 540, 564, 592, 608, 630, 638, 686, 828, 860, 888, 900, 908, 914, 926, 1014, 1020

BELT TYPE	PITCH	BELT NUMBER
L (Rubber)	9.525mm (0.375")	98, 109, 124, 135, 150, 165, 169, 172, 187, 203, 210, 218, 225, 240, 248, 255, 263, 270, 277, 285, 300, 304, 315, 320, 322, 334, 337, 345, 360, 367, 375, 382, 390, 394, 420, 427, 436, 439, 446, 450, 465, 480, 510, 514, 525, 540, 548, 581, 600, 605, 619, 630, 640, 653, 660, 697, 728, 731, 767, 780, 788, 806, 855, 863, 881, 915, 919, 938, 1294
H (Rubber)	12.700mm (0.5")	185, 225, 230, 240, 245, 270, 280, 300, 310, 315, 320, 330, 340, 350, 360, 370, 375, 390, 400, 410, 420, 430, 450, 465, 480, 490, 510, 530, 540, 560, 565, 570, 580, 600, 605, 630, 640, 650, 660, 680, 700, 730, 750, 760, 770, 800, 810, 820, 840, 850, 860, 880, 900, 950, 985, 1000, 1020, 1050, 1100, 1130, 1140, 1250, 1325, 1350, 1400, 1680, 1700
XH (Rubber)	22.225mm (0.875")	507, 560, 630, 700, 735, 770, 840, 875, 927, 980, 1120, 1260, 1400, 1540, 1750
XXH (Rubber)	31.750mm (1.250")	700, 800, 900, 1000, 1200, 1400, 1600, 1800, 1915

※ For MXL (only) belt number equals number of teeth. All others refer to pitch length in inches.