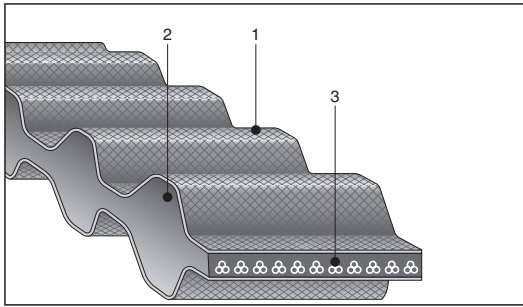
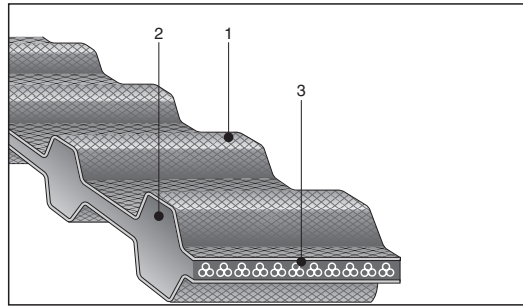


BANDO DOUBLE SIDED SYNCHRONOUS / STS BELTS

DOUBLE SIDED STS BELTS



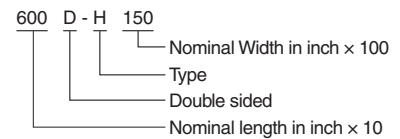
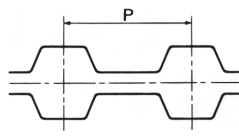
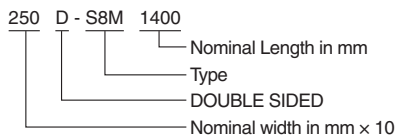
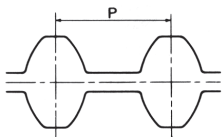
DOUBLE SIDED SYNCHRONOUS BELTS



Construction

1: Nylon Canvas 2: Chloroprene rubber backing 3: Glass fiber tensile member

Dimension and Size mark



Standard Sizes

Type	P(mm)	Nominal Width	Nominal Length																																																																																																																							
DS2M	2	40, 60, 100	300	304	306	308	310	312	314	316	318	320	322	324	326	328	330	332	334	336	338	340	342	344	350	354	360	364	370	372	374	376	380	386	390	396	400	406	408	410	416	420	426	428	434	436	438	440	448	452	454	456	460	468	474	480	486	490	494	500	506	520	524	530	532	540	550	558	560	572	580	594	596	600	604	606	620	630	632	650	652	654	656	660	668	676	692	700	710	726	742	752	754	766	796	800	810	826	828	848	864	898	900	940	946	950	984	1000	1020	1024	1032	1036	1042	1064	1066	1074	1086	1094	1100	1110	1136	1154
			DS3M	3	60, 100, 150	300	303	306	309	309	312	315	318	324	327	330	333	336	339	342	351	354	360	363	366	369	372	375	378	384	387	390	396	399	402	405	408	417	420	423	426	432	438	444	447	453	459	468	471	474	480	486	489	492	498	501	507	513	516	519	522	525	534	537	540	549	552	555	564	573	579	588	597	600	609	621	633	636	648	657	660	666	681	690	699	720	726	735	741	750	768	771	789	804	810	825	852	858	882	885	888	900	909	918	927	936	954	990	999	1014	1050	1119	1134	1146	1176	1188	1299	1419	1530			
						DS5M	5	※	420	425	435	440	445	450	476	490	500	520	525	550	560	565	570	575	600	625	635	645	650	665	670	675	695	700	710	725	740	750	765	770	775	780	800	810	830	850	860	870	900	920	940	950	965	975	1000	1025	1050	1085	1125	1135	1145	1195	1225	1250	1260	1270	1295	1350	1420	1595	1715	1800	1860	2000																																																
									DS4.5M	4.5	60, 100, 150	450,	491,	504,	518,	558,	563,	612,	630,	711,	729,	801,	1031																																																																																																			
												DS8M	8.0	150, 250, 400, 600	480,	520,	528,	560,	584,	600,	632,	640,	656,	672,	680,	712,	720,	728,	760,	800,	824,	840,	848,	880,	888,	896,	920,	944,	960,	976,	984,	1000,	1032,	1040,	1056,	1096,	1120,	1136,	1152,	1160,	1184,	1192,	1200,	1216,	1224,	1240,	1248,	1272,	1280,	1296,	1312,	1344,	1352,	1384,	1392,	1400,	1424,	1440,	1480,	1520,	1552,	1600,	1728,	1760,	1776,	1800,	1808,	1880,	1952,	2000,	2120,	2160,	2240,	2304,	2400,	2496,	2560,	2600,	2800,	2880,	2944,	3200,	3500,	3720,	3904,	4400																										
															DS14M	14.0	400, 600, 800, 1000, 1200	1008,	1120,	1190,	1246,	1400,	1540,	1610,	1652,	1778,	1806,	1890,	1904,	2002,	2100,	2240,	2310,	2380,	2450,	2506,	2590,	2660,	2800,	3150,	3248,	3500,	3556,	3850,	4004,	4060,	4326,	4508,	5012																																																																									

Type	P(mm)	Nominal Width	Nominal Length																																																																																
DXL	5.080	025, 031, 037, 050, 075,	160,	162,	164,	166,	168,	170,	172,	174,	176,	178,	180,	182,	184,	188,	190,	194,	196,	198,	200,	202,	206,	208,	210,	212,	214,	216,	220,	222,	224,	228,	230,	234,	240,	244,	248,	250,	260,	262,	266,	270,	276,	280,	282,	290,	300,	310,	314,	320,	322,	330,	340,	344,	348,	352,	356,	360,	364,	370,	372,	376,	384,	386,	388,	390,	396,	400,	408,	424,	430,	450,	456,	460,	470,	490,	496,	510,	540,	564,	592,	608,	630,
			DL	9.525	050, 075, 100, 150, 200,	165,	169,	172,	187,	203,	210,	218,	225,	240,	248,	255,	263,	270,	277,	285,	300,	304,	315,	320,	322,	334,	337,	345,	360,	367,	375,	382,	390,	394,	420,	427,	436,	439,	446,	450,	465,	480,	510,	514,	525,	540,	548,	581,	600,	605,	619,	630,	640,	653,	660,	697,	728,	731,	767,	780,	788,	806,	855,	863,	881,	915,	919,	938															
DH	12.700	075, 100, 150, 200, 300,				185,	225,	230,	240,	245,	270,	280,	300,	310,	315,	320,	330,	340,	350,	360,	370,	375,	390,	400,	410,	420,	430,	450,	465,	480,	490,	510,	530,	540,	560,	565,	570,	580,	600,	605,	630,	640,	650,	660,	680,	700,	730,	750,	760,	770,	800,	810,	820,	840,	850,	860,	880,	900,	950,	985,	1000,	1020,	1050,	1100,	1130,	1140,	1250,	1325,	1350,	1400,	1680,	1700											

※Please contact us.