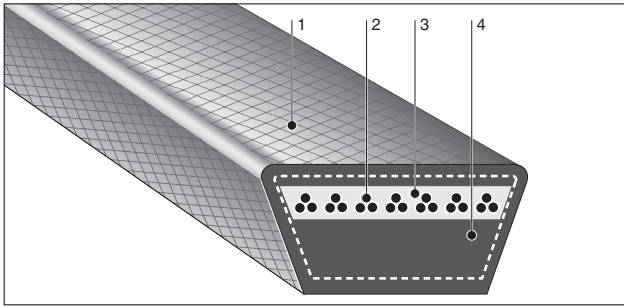


# BANDO AGRICULTURAL V BELTS RED S II



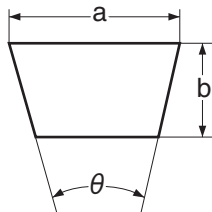
### Construction

- 1: Rubber impregnated canvas
- 2: Polyester tensile members
- 3: Chloroprene insulation rubber
- 4: Chloroprene compression rubber

### Features + Benefits

- Designed specifically for reverse-bend drive by positioning tensile members closer to the neutral axis and by making the belt thickness a little thinner than that of Conventional Multiple V-Belts A, B, & C Sections.
- Particularly suitable to agricultural machinery such as combine harvester and garden tiller where belts are often driven with backside idler.

### Dimensions



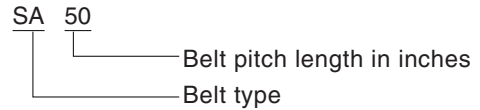
Type	Top width a	Thickness b	Angle $\theta$
SA	12.7mm (0.5")	7.0mm (0.27")	40°
SB	16.7mm (0.67")	9.0mm (0.35")	40°
SC	22.2mm (0.87")	11.0mm (0.43")	40°

### Service Life Comparison

Specific Driving Conditions	Red-S	Multiple V-Belt
reverse-bend drive	450	100
oil contamination	380	100
ambient temperature 70°C Degrees	450	100

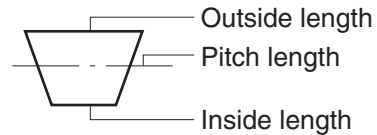
Numerical values shown above represent indexes with taking the multiple V belts as 100

### Size mark

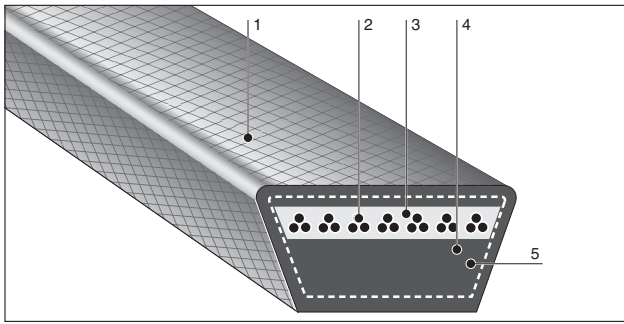


### Standard Sizes

Belt type	a×b (mm)	Belt pitch length in inches
SA	12.7×7.0	20 21 22 23 24 25 26 27 28 29 30 31 32 33 34 35 36 37 38 39 40 41 42 43 44 45 46 47 48 49 50 51 52 53 54 55 56 57 58 59 60 61 62 63 64 65 66 67 68 69 70 71 72 73 74 75 76 77 78 79 80 81 82 83 84 85 86 87 88 89 90 91 92 93 94 95 96 97 98 99 100 102 105 108 110 112 115 118 120 122 125 128 130 135 140 145 150 155 160 165 170 180 200 205 210 220 225 230 235 240 250
SB	16.7×9.0	22 25 26 27 29 30 31 32 33 34 35 36 37 38 39 40 41 42 43 44 45 46 47 48 49 50 51 52 53 54 55 56 57 58 59 60 61 62 63 64 65 66 67 68 69 70 71 72 73 74 75 76 77 78 79 80 81 82 83 84 85 86 87 88 89 90 91 92 93 94 95 96 97 98 99 100 102 105 108 110 112 115 118 120 122 125 128 130 132 135 138 140 145 150 155 160 165 170 180 190 200 210
SC	22.2×11.0	35 39 40 43 44 45 46 47 48 49 50 51 52 53 54 55 56 57 58 59 60 62 63 64 65 66 67 68 69 70 72 73 74 75 76 77 78 79 80 81 82 85 86 87 88 89 90 94 95 96 99 100 102 105 108 110 112 115 118 120 122 125 128 130 134 137 139 140 145 150 167 175



# BANDO AGRICULTURAL V BELTS W800



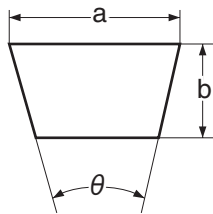
### Construction

- 1: Rubber impregnated canvas
- 2: Aramid tensile members
- 3: Chloroprene insularion rubber
- 4: Fiber loaded chloroprence rubber
- 5: Chloroprene compression rubber

### Features + Benefits

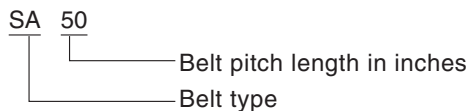
The Series W800 has heat and flex resistance superior to any other V belts, which makes it a top-end V belt for the agricultural machinery use enabling high-load power transmission. You can be assured to use this V belt under harsh environments.

### Dimensions



Type	Top width a	Thickness b	Angle $\theta$
SA	12.7mm (0.5")	7.0mm (0.27")	40°
SB	16.7mm (0.67")	9.0mm (0.35")	40°
SC	22.2mm (0.87")	11.0mm (0.43")	40°

### Size mark



### Making full use of the capabilities of agricultural machinery

As the agricultural machinery increasingly enhances its performance and functions, the quality required for V belts used in the agricultural machinery is going upscale.

On fine quality market, there are cases where the agricultural machinery should use more than the RED-S II in order to deliver the thorough functions. Now, we at BANDO launch the Series W800 of the highest quality among V belts (Series W) for the agricultural machinery use on the fine quality market.

### Features Comparison

	Standard V belt	RED-S II	W800
Power transmission capability	100	150	300
Service life against reverse bending	100	450	1800
Service life against shock	100	150	450

※Numerical values shown above represent indexes when taking the standard V belt as 100.

### Standard Sizes

Belt type	a x b (mm)	Belt pitch length in inches
SA	12.7 x 7.0	27,28,29,30,31,32,33,34,35,36,37,38,39,40,41,42,43,44,45,46,47,48,49,50,51,52,53,54,55,56,57,58,59,60,61,62,63,64,65,66,67,68,69,70,71,72,73,74,75,76,77,78,79,80,81,82,83,84,85,86,87,88,89,90,91,92,93,94,95,96,97,98,99,100
SB	16.7 x 9.0	27,28,29,30,31,32,33,34,35,36,37,38,39,40,41,42,43,44,45,46,47,48,49,50,51,52,53,54,55,56,57,58,59,60,61,62,63,64,65,66,67,68,69,70,71,72,73,74,75,76,77,78,79,80,81,82,83,84,85,86,87,88,89,90,91,92,93,94,95,96,97,98,99,100,102,105,108,110,112,115,118,120,122,125,128,130,132,135,138,140,145,150,155,160,165,170,180,190,200
SC	22.7 x 11.0	(40),(43),(44),(45),(46),(47),48,(49),50,51,52,53,54,55,56,57,58,59,60,62,63,64,65,66,67,68,69,70,72,73,74,75,76,77,78,79,80,81,82,85,86,87,88,89,90,94,95,96,99,100,102,105,108,110,112,115,118,120,122,125,128,130,132,135,138,140,142,145,148,150,155,160,165,170,180,190,200